

COOBER LM ECU CFMOTO MT800

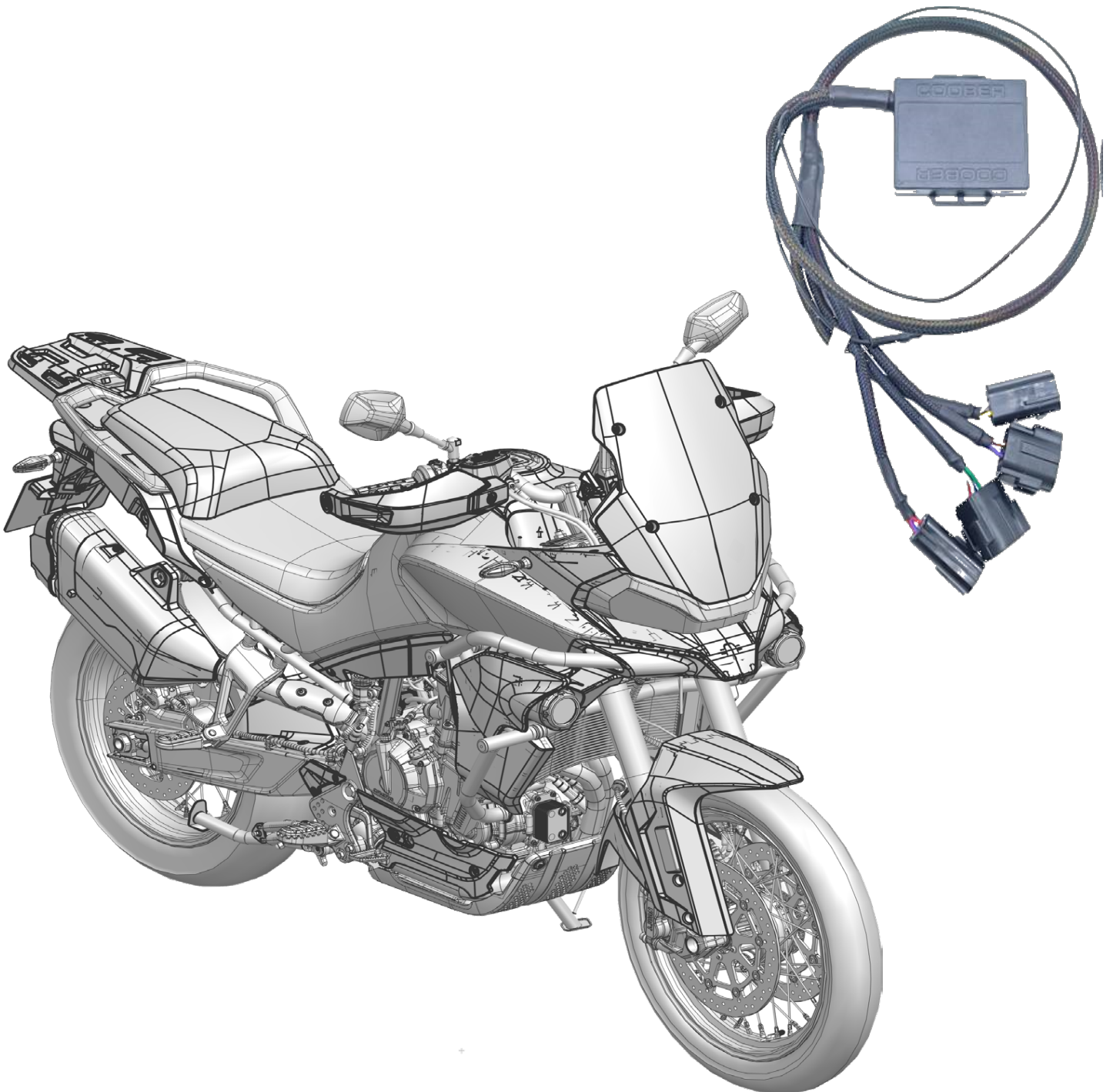
COOBER

www.coober.eu



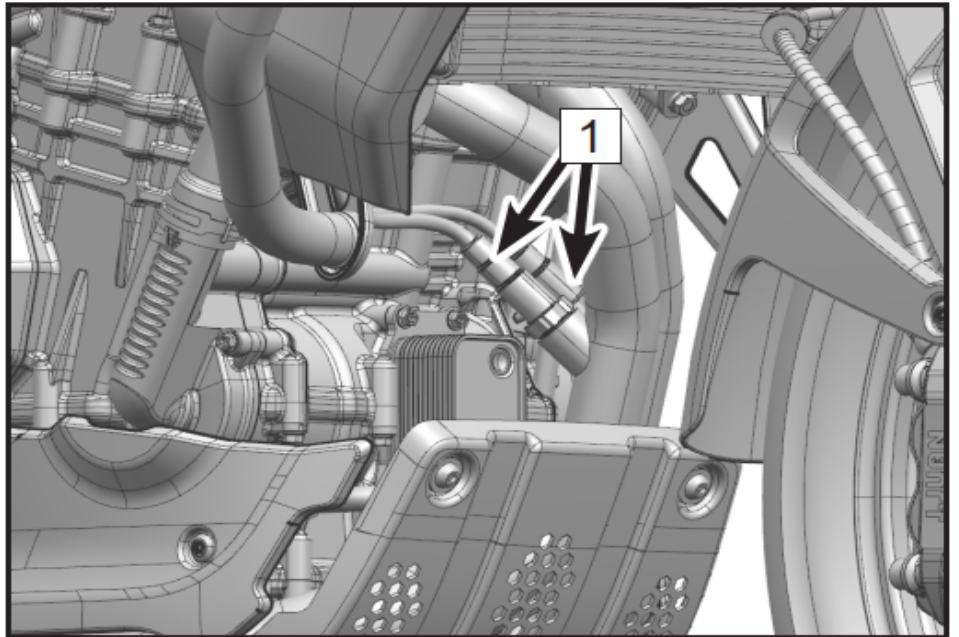
EU

Instruction manual

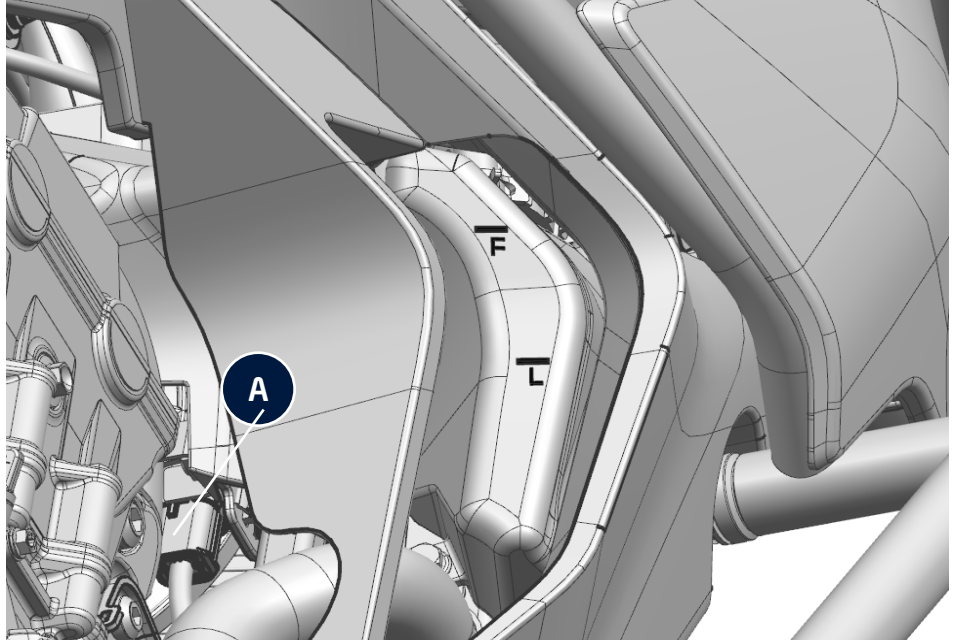


COOBER

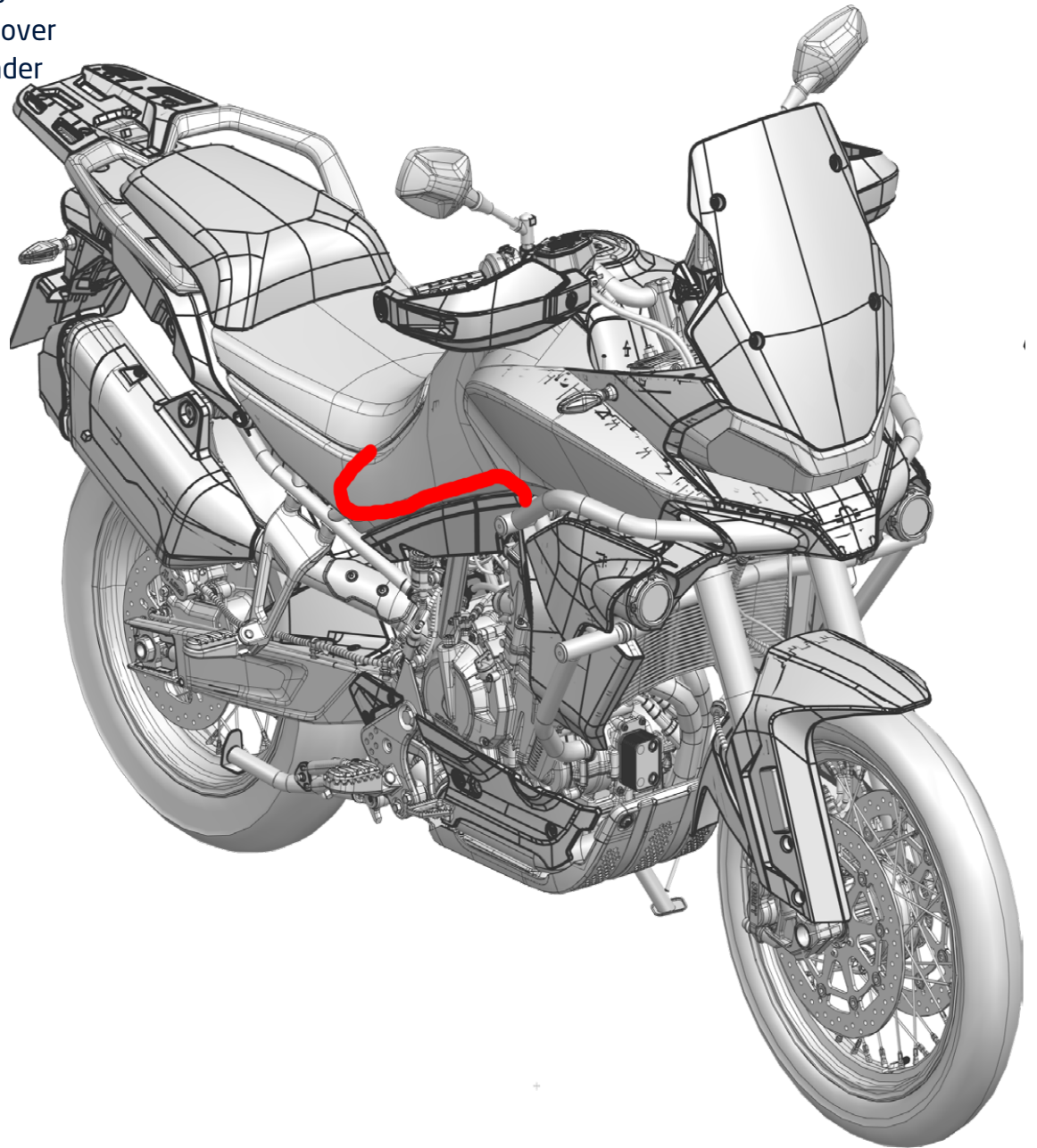
- 1 Follow wires from Lambda sensor to conn



2 Location of
Lambda Sensor
(A) connector



- 3** Route Harness
under plastic cover
and place it under
seat.



4 Connect GND to Battery

GROUND

