

COOBER LM ECU CFMOTO MT450

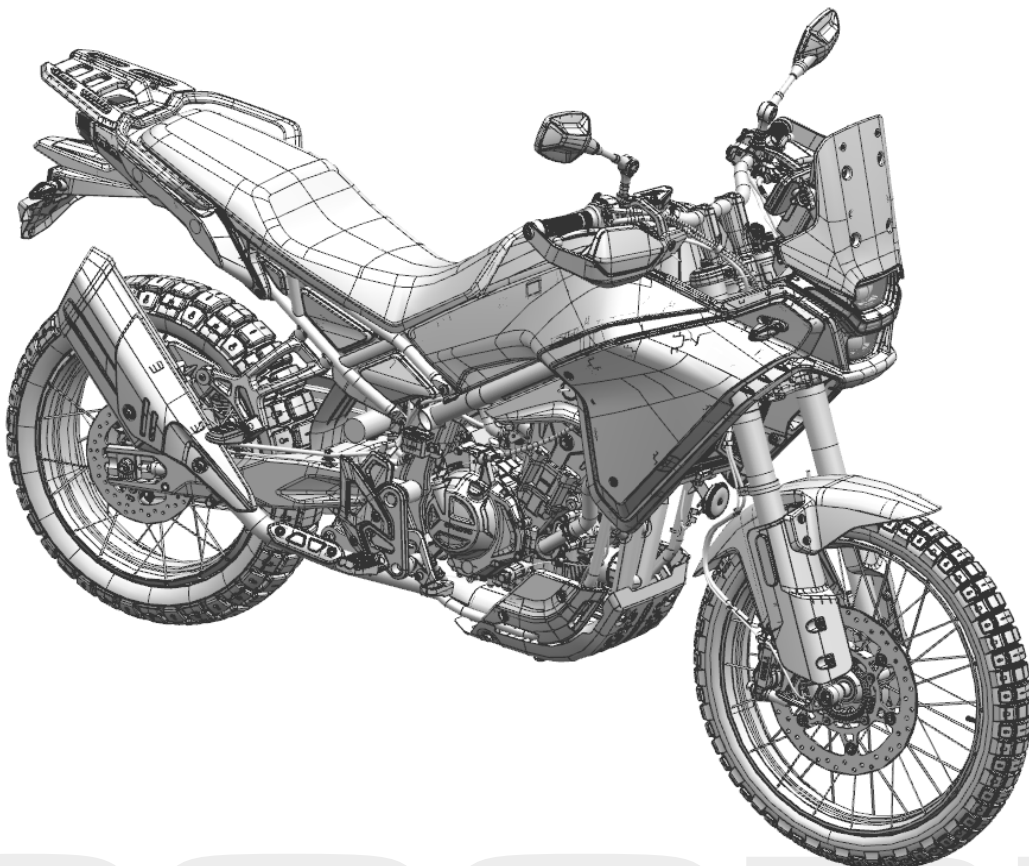
COOBER

www.coober.eu



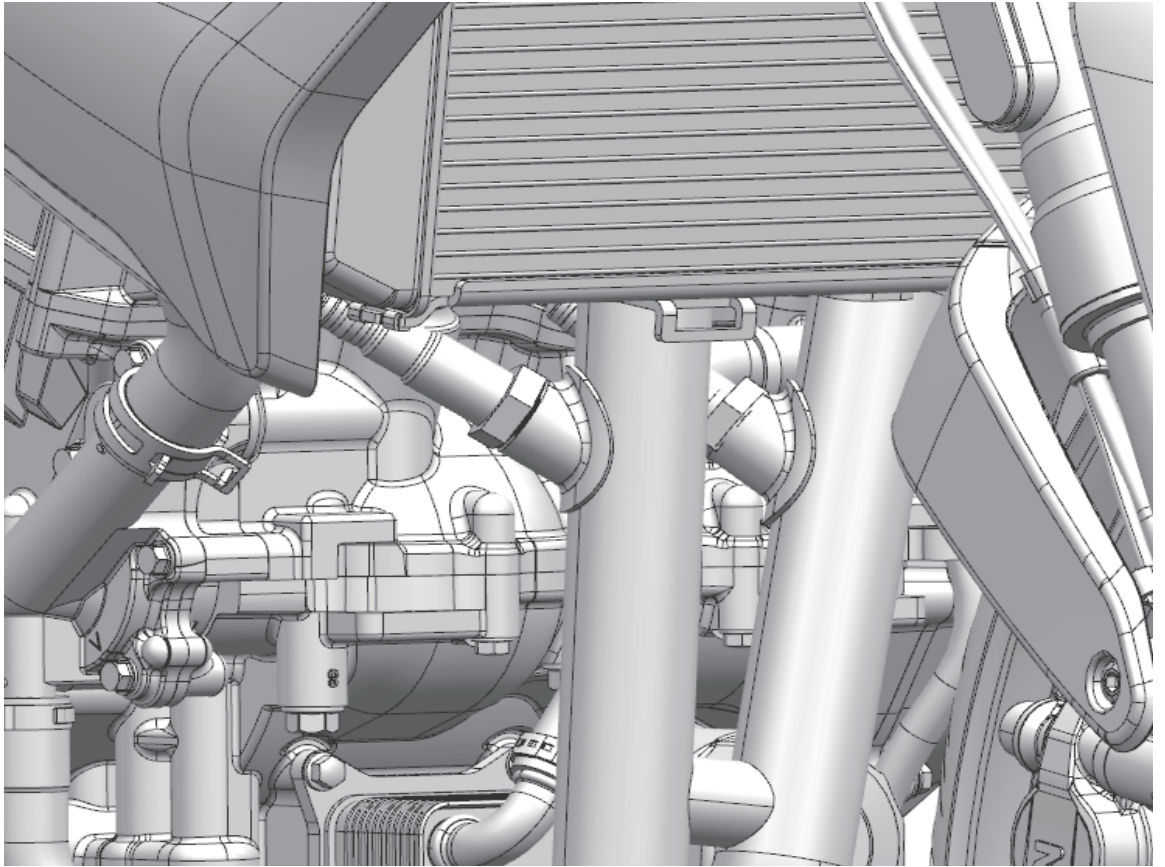
EU

Instruction manual

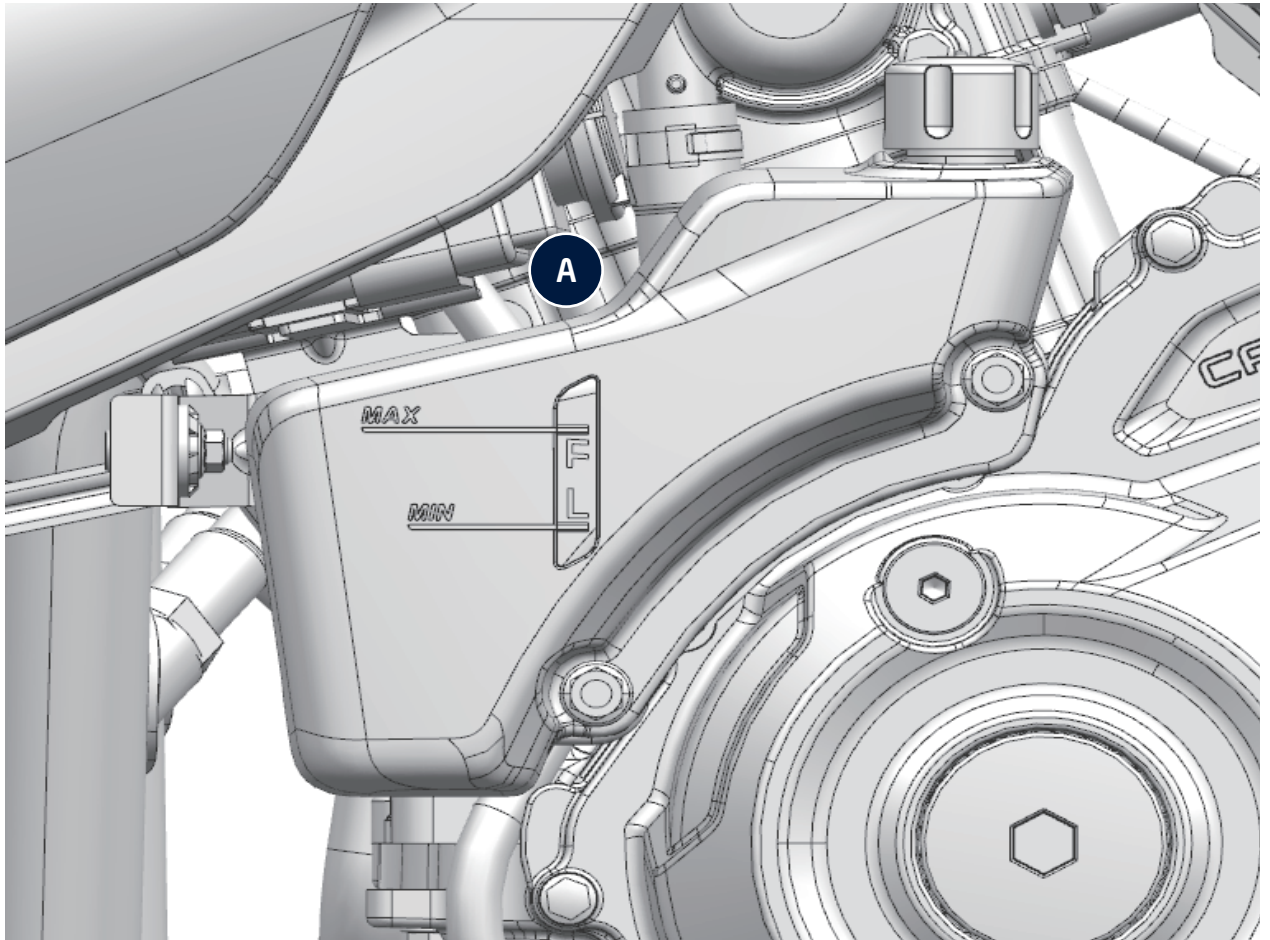


COOBER

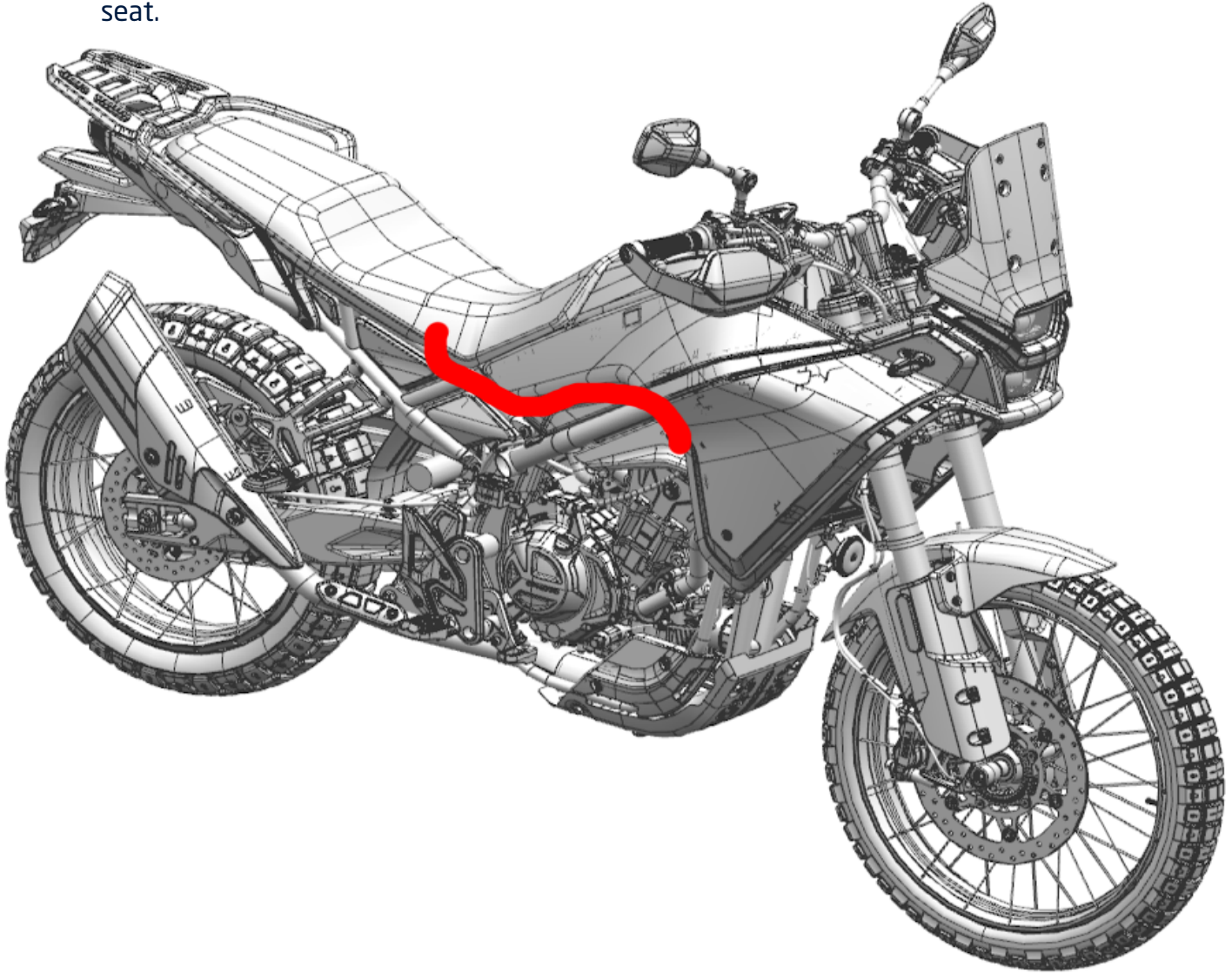
- 1 Follow wires from Lambda sensor to connector



- 2 Location of
Lambda Sensor
(A) connector



- 3 Route Harness under plastic cover and place it under seat.



4 Connect GND
to Battery
(- minus)

GROUND

